

Indiana Beekeeping School

Beginning Beekeeping

Saturday January 28, 2012

Indianapolis Downtown
Terre Haute IN

Fort Wayne IN
Columbus IN

Saturday 8am - 8pm

With the decline in natural population of honeybees due to disease and pests, we find ourselves almost completely dependent on beekeepers to provide a healthy bee population to continue the critical role of pollination on farms and in gardens.

Who can keep a beehive? Unless specifically forbidden by neighborhood covenants, most city, town and rural residents can keep a beehive without restriction. Location is important, and keeping it out of sight from the neighbors can be advisable. Avoid being a "pest." A call to your town offices can confirm if there are restrictions in your area.

Participants in this course will pay a basic tuition fee and an optional materials fee. During the class, a standard Langstroth beehive will be constructed by those who have purchased the materials, and taken home for painting or staining. Seminars will cover basic beekeeping, biology of the honeybee egg/larva/adult, hive setup and location, plants that attract honeybees, feeding of honeybees, recognizing laying patterns, swarm prediction, prevention and retrieval, spring, summer and fall management, honey removal and processing, and disease and pest management. A certificate for a nucleus of bees and a queen can be bought at the class, which will arrive in May or early June.

*Seminar leader & presenter: Rob Green, principal: Indiana Beekeeping School, inc,
Presenters & Workshop Leaders: Roger & Juanita Graham, Graham's Beeworks; Kathleen Prough, Indiana Dept of Natural Resources.*

The class is run by the Indiana Beekeeping School, Inc, a not-for-profit 501(c)(3) educational foundation, who is solely responsible for its content. Ivy Tech Community College and Herron High School provide facilities and are not responsible for course content.

Note: All locations, with the exception of Indianapolis downtown, will receive the presentations by video link. Locations subject to change

Indiana Beekeeping School, Inc.

NOTE:

Materials are NOT included in the tuition costs.

The Indiana Beekeeping School has a vendor who will sell direct to you, starter kits and beehives, and bees. Hardware will be delivered directly to the class. Bees will be picked up by you in a central Indiana location in the spring. Prices on bees should be available by the time the class is run, but expect approximately \$135-\$150 per colony.

You are NOT obligated to purchase from this vendor. However other equipment vendors are not necessarily going to sell you what we recommend. For example, we recommend pure beeswax foundation, not plastic. We recommend an IPM screened bottom board. If you come to class with unapproved kits, you will have difficulty in class.

Our vendor delivers materials to the class locations because no vendor will ship beeswax foundation during cold weather. We do NOT recommend plastic foundation.

Our bee vendors are certified healthy and free of small hive beetle. Other vendors Not certified.

You need to contact the vendor directly. Other supplies are available. You may custom modify this kit. 812-597-2000.

Official vendor for the Indiana Beekeeping School is Graham's Bee Works.



Beekeeping Kits Recommended first year beginner kit

- 1 Telescoping Cover
- 1 Inner Cover
- 2 Deep Supers (hive body)
- 20 Deep Frames
- 20 Deep Wired Foundation
- 4 Frame Rest (Deep Supers only)
- 1 Medium Honey Super
- 10 Medium Frames
- 10 Medium Wired Foundation
- 1 Screen Bottom Board w/ Mite Detection Board
- 1 Entrance Reducer
- 1 Hobbyist Smoker
- 1 Bag of Smoker Fuel
- 1 Beekeeping Book
- 1 Hive Tool
- 1 Bee Veil
- 1 Plastic Helmet
- 1 pair Leather B-Gloves
- 1 Entrance Feeder w/ extra Lid
- 1 Frame Perch (holder)
- 1 Queen Excluder
- Nails

Unassembled Supers and Frames for Shipping
Cat. # 8001 \$321 for class Bees not included

Class size is limited.

Register now for tuition. Then order your supplies from our vendor.

Make checks payable to: Indiana Beekeeping School, Inc

We will send you:

Final confirmation.

Fees not refundable after December 1, (you get your materials).

On the two days of your class you will bring:

Pencil, pen, notebook, camera

Exterior wood glue (Yellow Resin Carpenter Glue. Not Gorilla Glue or polyurethane glue), Hammer, Carpenter Square, needle nose pliers

During the course:

You'll get Snack breaks, Continental breakfast, box lunch

You will receive your materials, and assemble them

You'll enjoy in-depth seminars on beekeeping

You'll be able to order more supplies and your bees

You'll take home your hive to prime and finish

In June:

you'll participate in an online forum with past and present graduates

you'll pick up your bees and install them.

YES! Sign me up for the Beekeeping School!

Name _____

Address _____

City _____ State _____ Zip _____

Phone _____ E-mail _____

Make checks payable to **The Indiana Beekeeping School**

Mail to Indiana Beekeeping School

c/o Rob Green

7057 Bluffwood Ct

Brownsburg IN 46112

317.536.9800

	Qty	Amount
Tuition:	_____	\$120.00
Spouse:	_____	\$95.00
Previous Graduate:	_____	\$95.00

Check Location here: January 28, 2012 8am-8pm

Terre Haute

Columbus

Fort Wayne

The above locations will be participating via a webcast of live instructors in the Indianapolis Downtown class.

They will have on site volunteer instruction assistants and live on site construction workshops.

Indianapolis Downtown

This location is live.

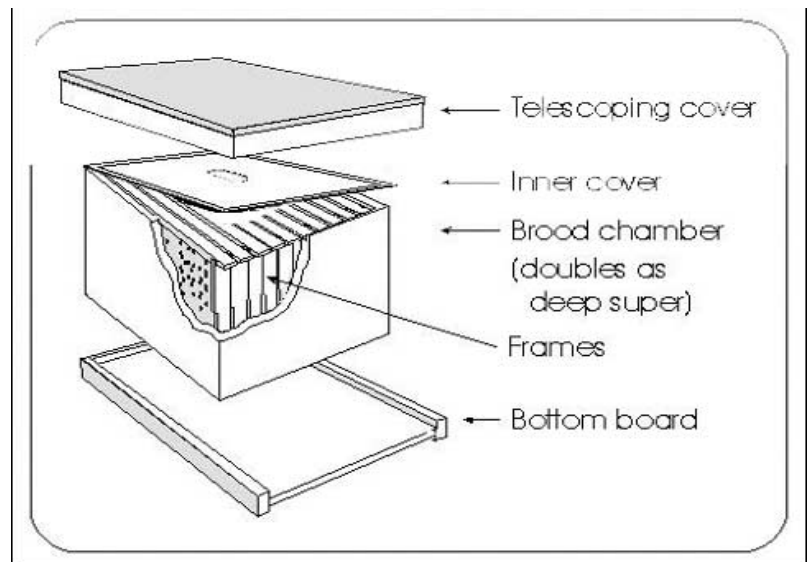


Garden hive with copperclad peaked roof, finished in light stain and exterior varnish. The peaked roof is an upgrade to the standard beginners kit. It's copper clad instead of a flat tin clad roof. Contact the vendor, about this option.

Components of standard hive. Outer cover is usually lined with tin for weather proofing. Exterior surfaces are primed and painted white to keep it cooler in summer.

All components include frames, wax foundation, nails. We do not recommend you purchase your hive from other sources.

Note: all beehives purchased for the beekeeping school will have an IPM Screened Bottom Board included.



Indiana Beekeeping School, inc
7057 Bluffwood Ct
Brownsburg IN 46112
317.536.9800